

RL1700 HE

Light- to Medium-capacity Weigh Modules



Picture is a representation of actual product.

The RL1700 HE offers precision-machined, weldless construction to maximize washdown cleaning effectiveness. This design, coupled with integral jacking/shipping bolts, eases installation and minimizes maintenance costs. OIML C3-certified load cells in capacities from 5 kg to 5,000 kg provide accurate, consistent weighments. Ideal for multi-ingredient micro-batching applications, the RL1700 HE provides exceptional performance in hostile environments. The RL1700 HE offers a guaranteed waterproof rating to ensure reliable performance in moisture-laden environments.

Standard Features

- All stainless steel construction
- Hermetically sealed, stainless steel load cells, IP66/68, guaranteed waterproof
- OIML certified load cells from 5 kg-5,000 kg
- Bolt-in-place design; module bolts directly to tank leg without requiring additional load buttons or mounting plates
- Self-checking with lift-off/tip-over protection and jacking/shipping bolts
- Weldless construction retains less residue and allows fast, thorough cleaning
- Two-year limited warranty

Applications

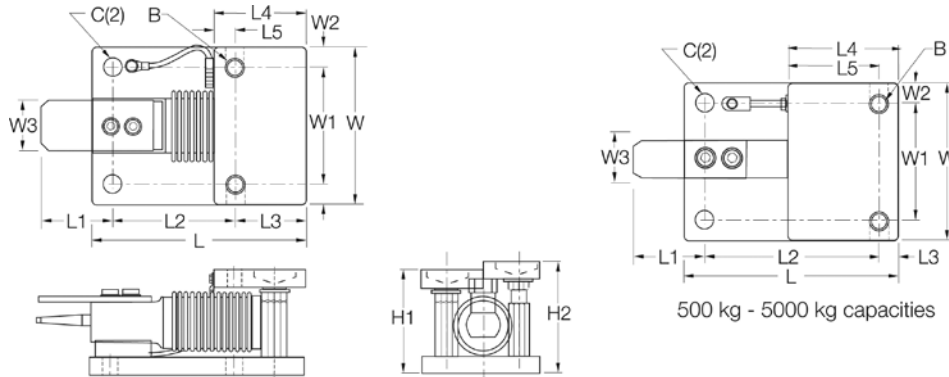
- Multi-ingredient micro-batching
- Meat and poultry processing
- Batching/blending
- Dye/ink blending

Complete Kit Includes

- One JB4SS NEMA Type 4X stainless steel signal-trim junction box
- Three or four RL1700 HE stainless steel compression mounts
- Three or four RLHBB (5 kg-250 kg) or RLHTO (500 kg-5,000 kg) stainless steel, hermetically sealed single-ended beam load cells
- 25 ft of our hostile environment EL147HE SURVIVOR® load cell cable

Load Cell Certifications





5 kg - 250 kg capacities

500 kg - 5000 kg capacities

Dimensions

Rated Capacity	C	B	*H1	**H2	L	L1	L2	L3	L4	L5	W	W1	W2	W3
kg/mm														
5-250	12.9	1/2-20 UNF	80.0	86.1	131.8	63.7	76.0	42.0	56.0	13.97	96.0	70.0	12.9	25.4
500-2,000	12.9	5/8-18 UNF	101.6	109.4	165.0	70.0	129.5	14.9	80.0	59.94	110.0	70.0	20.0	31.7
5,000	20.0	3/4-10 UNC	135.0	143.0	215.0	81.0	161.0	20.0	90.0	70.5	150.0	90.0	30.0	40.0
lb/in														
11-550	0.53	1/2-20 UNF	3.13	3.39	5.19	2.52	2.99	1.65	2.20	0.56	3.99	2.76	0.62	1.00
1,100-4,400	0.53	5/8-18 UNF	4.00	4.31	6.50	2.80	5.10	0.61	2.97	2.36	4.33	2.76	0.79	1.25
11,000	0.78	3/4-10 UNC	5.31	5.63	8.46	3.19	6.34	0.79	3.56	2.78	5.91	3.54	1.18	1.57

* In weighing position ** In jacked-up position for load cell shipping or removal

Order Information

Load Rating (Per Module)	Part #	Price
OIML C3-Certified Load Cells Included		
5 kg	32687	Consult
10 kg	32688	Consult
20 kg	32689	Consult
50 kg	32690	Consult
100 kg	32691	Consult
200 kg	32692	Consult
250 kg	32693	Consult
500 kg	32974	Consult
1,000 kg	32973	Consult
2,000 kg	32972	Consult
5,000 kg	32971	Consult
3-Module Kit		
5 kg	32920	Consult
10 kg	32921	Consult
20 kg	32922	Consult
50 kg	32923	Consult
100 kg	32924	Consult
200 kg	32925	Consult
250 kg	32926	Consult
500 kg	32980	Consult
1,000 kg	32981	Consult
2,000 kg	32982	Consult
5,000 kg	32983	Consult
4-Module Kit		
5 kg	32927	Consult
10 kg	32928	Consult
20 kg	32929	Consult
50 kg	32930	Consult
100 kg	32931	Consult
200 kg	32932	Consult
250 kg	32933	Consult
500 kg	32984	Consult
1,000 kg	32985	Consult
2,000 kg	32986	Consult
5,000 kg	32987	Consult

