

RC3 Load Cells



Standard Features

- Stainless steel, hermetically sealed load cells
- Converts existing Mettler Toledo DigiTOL scale to an analog-based load cell weighing system
- 8 or 10 load cells, cups, plus junction box and home run cable
- Load cells are NTEP Certified 1:10,000 divisions, Class III L*
- Rocker design load cells
- Load cups

Applications

- Toledo DigiTOL truck scale conversion

Complete Kit Includes

- Kits include two or three JB304A or JB8SP junction boxes
- 8, 10 or 12 Flintec RC3
- 100 ft of hostile environment EL147HE SURVIVOR® load cell cable
- Cups included

Warranty

- One-year limited warranty

Load Cell Certifications



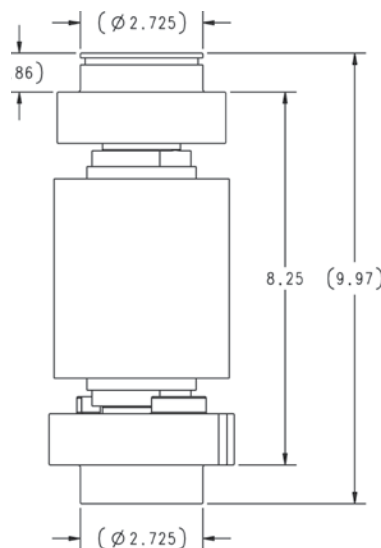
*Consult your local Weights & Measures Authorities for local Legal for Trade requirements

Shown here with the JB8SP signal trim junction box
Picture is a representation of actual product

This kit is designed to provide a cost effective solution for replacing Mettler Toledo™ DigiTOL® digital load cells with analog load cells. The Flintec® RC3 load cell is stainless steel and hermetically sealed to provide years of trouble-free service.

DigiTOL Retrofit Order information

Description	Part#	Price
8 mount kit (RC3-50T) RR/track	129844	Consult
8 mount (RC3-50T) truck	154347	Consult
10 mount kit (RC3-50T) RR/track	111367	Consult
10 mount kit (RC3-50T) truck	154348	Consult
12 mount kit (RC3-50T) truck	154349	Consult



RC3-50t

