

882D Belt Scale Integrator



Standard Features

- LCD display, seven-digit, seven-segment weight display, 3 x 20 pixelated prompt area
- RS-232 or RS-485 serial port
- USB device port connects directly to a PC
- Ethernet TCP/IP polled or continuous
- AC or DC models
- Hardware slot for two option card
- Operator functions through menu key for audit trail, preset tare, accumulator, time & date and setpoints
- Audit trail tracking for configuration and calibration changes. Password protection for user and configuration changes.
- Setpoints for control and alarms
- Four onboard digital I/O channels
- Four programmable ticket formats up to 1,000 characters
- Filter settings for light, medium and heavy noise
- Speed inputs

Options

Analog Output:

16-bit resolution, 0-10 VDC, 0-20 mA, 4-20 mA

Relay Board:

Four dry contact relays; DC Max: 30 VDC at 3 amps
AC max: 250 VAC at 3 amps per contact

EtherNet/IP Interface:

According to EN 50325-2

Profinet Interface:

According to IEC 61784 (CPF-3/3)

Modbus/TCP Interface:

Up to 8 bytes of I/O data, 100 Mbps full duplex Ethernet

DeviceNet Interface:

According to EN 50325-2

Profibus DP Interface:

According to EN 50170

EtherCAT

According to IEEE 802.3

Digital I/O

24 channel I/O expansion boards available

Approvals



Specifications

Power:

Input voltages: 100-240 VAC; 9-36 VDC
Input frequency: 47-63 Hz

Power Consumption:

AC: 15 watts; DC: 20 watts

Excitation Voltage:

10 VDC 8 x 350 Ω (16 x 700 Ω) load cells

Analog Signal Input Range:

-45 mV to 45 mV

Analog Signal Sensitivity:

0.3 μV/graduation minimum at 7.5 Hz;
1.0 μV/graduation typical at 120 Hz

Sample Rate:

7.5 to 120 Hz, software selectable

Resolution:

Internal: 8 million counts 23 bit

Weight display:

100,000

System Linearity:

± 0.01% full scale

Digital I/O:

Four I/O onboard primary keys, pseudo functions, batching functions

Circuit Protection:

18 KV, 10 V/meter

Communication Ports:

RS-232 full duplex or RS-485 half duplex; USB micro A/B connector 2.0; Ethernet TCP/IP

Pulse Input:

Dual inputs for redundancy

Display:

LCD display, seven-digit, seven-segment weight display, 3 x 20 pixelated prompt area

Status Annunciators:

Load, total, rate, speed, zero

Keyboard:

Flat membrane panel, tactile feel

Operating Temperature:

14° F to 122° F (-10° C to 50° C)

Dimensions:

W x H x D: 9.87 x 9.38 x 4.33 in
(250.7 x 238.3 x 110 mm)

Weight:

12 lb (5.4 kg)

Rating:

IP66

Material:

Stainless steel

Warranty:

Two-year limited warranty

Approvals:

CE Marked
UL/c-UL Listed

882D Belt Scale Integrator

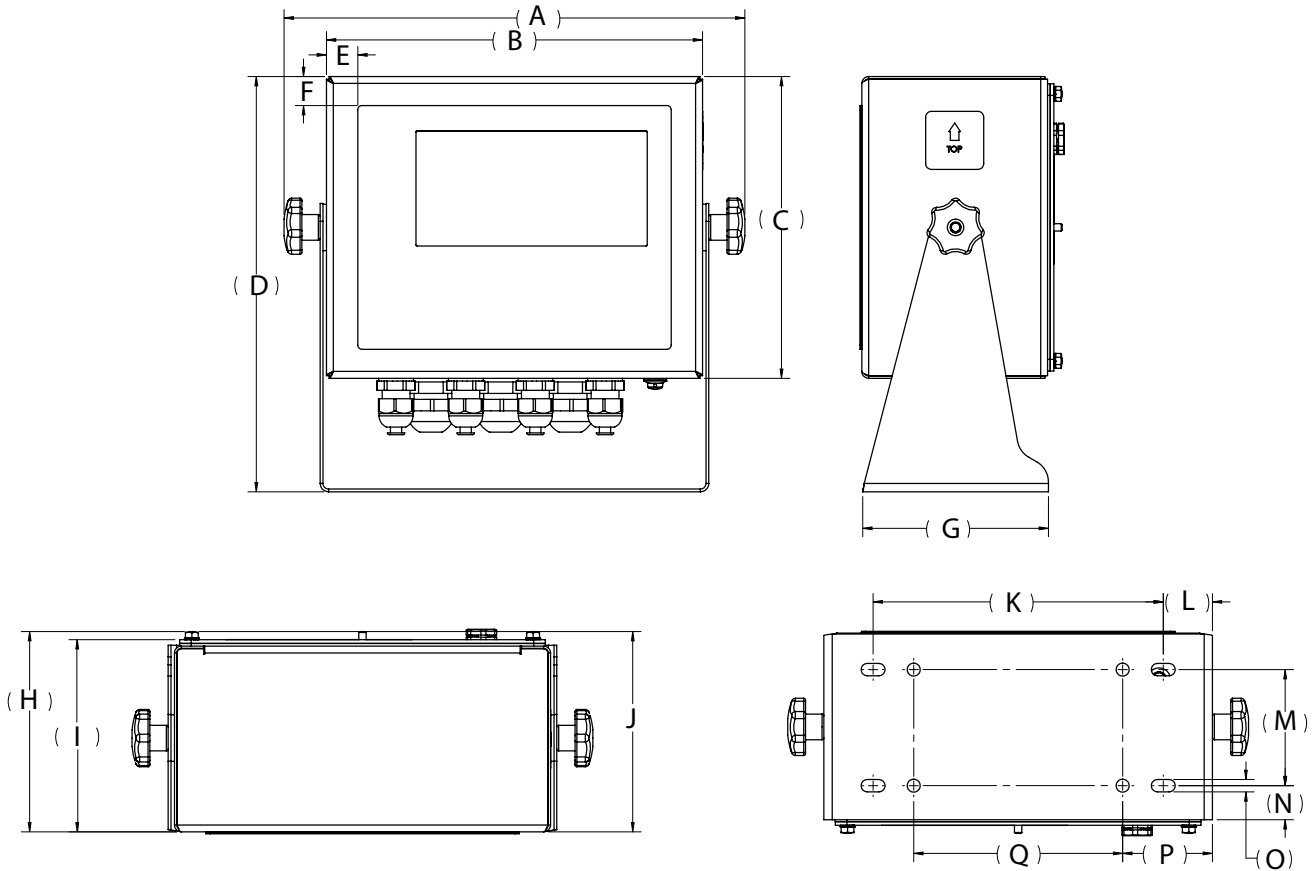
Part Number/Price

Part #	Description	Price
Integrators		
177708	120 VAC	Consult
180847	220 VAC Euro power cord	Consult
184683	9-36 VDC	Consult

Options/Accessories

Part #	Description	Price
Network Cards		
190527	882D option, digital I/O	Consult
190528	882D option, single analog out	Consult
190529	882D option, relay interface	Consult
190530	882D option, Ethernet/IP	Consult
190531	882D option, DeviceNet	Consult
190532	882D option, ProfiNet	Consult
190534	882D option, Profibus	Consult
190533	882D option, Modbus TCP	Consult
190535	882D option, EtherCAT	Consult

Please complete the Belt Scale Application on page 179 to obtain a quote



Dimensions

A	9.93 in	J	4.32 in
B	8.10 in	K	6.25 in
C	6.50 in	L	1.06 in
D	8.94 in	M	2.50 in
E	0.68 in	N	0.73 in
F	0.63 in	O	0.27 in
G	4.00 in	P	1.93 in
H	4.31 in	Q	4.50 in
I	4.14 in		