

Specifications

Capacity:

0-10 lb x 0.05 oz (0-5 kg x 1 g)
10-33 lb x 0.1 oz (5-15 kg x 2 g)

Power:

12 VDC, provided by six AA lithium batteries (included) or AC adaptor (optional)

Battery Type:

Six Li-FeS2 batteries

Operating Temperature:

50° F to 95° F (14° C to 35° C)

Display:

5-digit LCD display, 0.75 in (1.9 mm) digit height

Approvals:

c-Met E113986

Warranty:

Two-year limited warranty



Model 650-10-1

Standard Features

- Large easy-to-read 0.75 in LCD display
- Dual-range capacity for increased precision from 0-10 lb
- Lb or kg locking capability
- Automatic shut-off for long battery life
- Motiontrap™ movement compensation technology
- Built-in measuring tape 0-23.5 in x 0.125 in (0-60 cm x 0.25 cm)

Part Number/Price

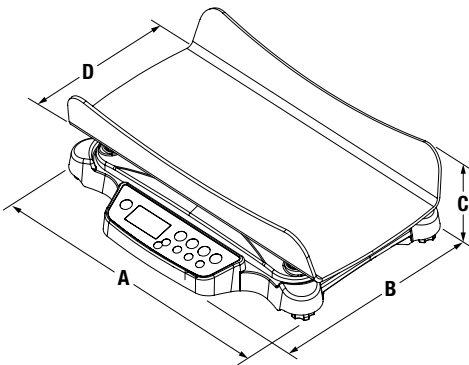
| Part # | Model | Capacity | Price |
|--------|----------|------------------------------------------------------------------------------|---------|
| 161784 | 650-10-1 | 0-10 lb x 0.05 oz, 10-33 lb x 0.1 oz (0-5 kg x 1 g, 5-15 kg x 2 g) 120V/230V | Consult |

Shipping Weight

| Part # | Model # | L (in) | W (in) | H (in) | Package Wgt. (lb) | Dim Wgt. (lb) | Shipping Wgt. (lb) |
|--------|----------|--------|--------|--------|-------------------|---------------|--------------------|
| 161784 | 650-10-1 | 18 | 28 | 11 | 25 | 40 | 40 |

Options/Accessories

| Part # | Description | Price |
|--------|----------------------------------|---------|
| 165138 | AC adaptor, c-Met, medical grade | Consult |
| 182742 | Cart, Pediatric Scale | Consult |



Dimensions

| | Inches | Centimeters |
|---|--------|-------------|
| A | 24 | 60.8 |
| B | 19 | 48.2 |
| C | 6.75 | 17.1 |
| D | 17 | 43.5 |



Neonatal scale shown on a pediatric scale cart