

The New Quintix®

Redefining Standard.

Laboratory Balances



- Intuitive application guidance
- Maximum accuracy at all time
- Easy cleaning
- "Plug & Work" connectivity to printer or computer

AC Adapter

Sartorius AC adaptor module	6971790 with interchangeable country-specific plug-in AC adaptors
Primary	100 – 240 V~, -10% +10%, 50 – 60 Hz, 0.2 A
Secondary	15 V DC, ± 5%, 530 mA (max.) 8 Watt (max.): 0 to +40°C and 15 V DC, ± 5%, 330 mA (max.) 5 Watt (max.): 0 to +50°C
Other data	protection class II, in accordance with EN IEC 60950-1 up to 3000 m above sea level; IP40 as per EN IEC 60529

Balance

Power supply	only via Sartorius AC adaptor module 6971790
Input voltage	12.0 ... 18.0 V DC
Power consumption	2 W (typically)

Ambient Conditions

The specifications apply when the following ambient conditions are in place:	
Environment	for indoor use only
Ambient temperature *	+10°C to +30°C
Operational capacity	guaranteed between +5°C and +45°C +45 °C
Storage and shipping	-10 °C to +60 °C
Elevation	up to 3000 m above sea level
Relative humidity**	15% to 80% for temperatures up to 31°C; non-condensing, decreasing linearly to 50% relative humidity at 40°C and 20% at 50°C

Safety of electrical equipment	in accordance with EN 61010-1/IEC 61010-1. Safety requirements for electrical equipment for measurement, control, and laboratory use – Part 1: General requirements
---------------------------------------	---

Electromagnetic compatibility	in accordance with EN 61326-1/IEC 61326-1. Electrical equipment for measurement, control, and laboratory use – EMC requirements – Part 1: General requirements
--------------------------------------	--

Defined immunity to interference	Suitable for use in industrial areas
----------------------------------	--------------------------------------

Interference emission	Class B (suitable for use in residential areas and areas that are connected to a low voltage network that also supplies residential buildings). The device can therefore be used in both areas.
-----------------------	---

Balances verified for use in legal metrology comply with the requirements of Council Directive 2009/23/EC, EN 45501:1992, and OIML R76:2006.

* For balances verified for use in legal metrology in accordance with EU requirements, refer to the information on the balance.

** For balances verified for use in legal metrology in accordance with EU requirements, the legal regulations apply.

Technical Specifications

Standard Equipment

Levelling	Glass level indicator with air bubble for centering
Calibration	Internal calibration isoCAL, External calibration
Selectable weight units ¹	Gram, kilogram, carat, pound, ounce, troy ounce, Hong Kong tael, Singapore tael, Taiwan tael, grain, pennyweights, milligram, parts per pound, China tael, mommes, Austrian carat, tola, baht, mesghal and Newton
Interface	mini USB – Automatic recognition of Sartorius printer models YDP30 or YDP40 – Direct data transfer to Microsoft® Windows programs – Programmable interval for data output – Data transfer protocols SBI, xBPI, table format, text format
Display	Touch screen with Sartorius graphical user interface optimized for users in pharmaceutical laboratories
Standard built-in applications	Weighing, Density, Percentage, Checkweighing, Peak Hold, Counting, Unstable Conditions
Special built-in lab applications	Mixing, Components, Statistics, Conversion
Languages	English, German, French, Spanish, Italian, Russian, Chinese, Polish, Japanese, Portuguese
Protection	– Chemical resistant finish of the housing – In-use cover – Dust cover for analytical balances
Password protection	Supervisor lock for protection against unintentional changes
Anti-theft lock	Kensington lock and lockdown capability for cable or chain
Underfloor weighing	Integrated

¹ Limited for verified models



Analytical Balances Quintix®

Model		224	124
Weighing capacity	g	220	120
Readability	mg	0.1	0.1
Repeatability (standard deviation)	mg	0.1	0.1
Linearity deviation	mg	0.2	0.2
Sensitivity drift between +10 and +30°C	± ppm/K	1.5	1.5
Typical stabilization time	s	3	2
isoCAL:			
– Temperature change	K	1.5	1.5
– Time interval	h	4	4
Display result (depending on the set filter level)	s	0.2	0.2
Weighing pan size	mm	∅ 90	∅ 90
Weighing chamber height	mm	209	209
Net weight, approx.	kg	4.9	4.9
Dimensions, D × W × H	mm Inch	360 × 216 × 320 14.1 × 8.5 × 12.6	

Precision Balances Quintix®

Model		513	313	213	5102	3102	2102	1102	612	5101	5100	
Weighing capacity	g	510	310	210	5100	3100	2100	1100	610	5100	5100	
Readability	mg	1	1	1	10	10	10	10	10	100	1000	
Repeatability (standard deviation)	mg	1	1	1	10	10	10	10	10	100	500	
Linearity deviation	mg	2	2	2	20	20	30	30	30	300	1000	
Sensitivity drift between +10 and +30°C	± ppm/K	3	3	3	3	3	5	5	5	10	10	
Typical stabilization time	s	1.5	1.5	1.5	1.5	1.5	2	2	2	2	2	
isoCAL:												
– Temperature change	K	2	4	4	2	4	4	4	4	4	4	
– Time interval	h	6	12	12	6	12	12	24	24	24	24	
Display result (depending on the set filter level)	s	0.1 0.2	0.1 0.2	0.1 0.2	0.1 0.2	0.1 0.2	0.1 0.2	0.1 0.2	0.1 0.2	0.1 0.2	0.1 0.2	
Weighing pan size	mm	∅ 120	∅ 120	∅ 120	∅ 180	∅ 180	∅ 180	∅ 180	∅ 180	∅ 180	∅ 180	
Weighing chamber height	mm	209	209	209	–	–	–	–	–	–	–	
Net weight, approx.	kg	4.9	4.9	4.9	5.2	5.2	4.7	4.7	4.7	4.7	4.7	
Dimensions, D × W × H	mm Inch	360 × 216 × 320 14.1 × 8.5 × 12.6						360 × 216 × 95 14.1 × 8.5 × 3.75				

Verified Models with Country-specific Type Approval Certificate

Analytical Balances Quintix®

Model		224-1x ¹	124-1x ¹
Accuracy class		Ⓡ	Ⓡ
Type ²		SQP-A	SQP-A
Max	g	220	120
Scale interval d	mg	0.1	0.1
Verification scale interval e	mg	1	1
Min	mg	10	10
Tare (subtractive)		<100 % of the max. weighing capacity	
Typical stabilization time	s	3	2
isoCAL:			
- Temperature change	K	1.5	1.5
- Time interval	h	4	4
Display result (depending on the set filter level)	s	0.2	0.2
Weighing pan size	mm	∅ 90	∅ 90
Weighing chamber height	mm	209	209
Net weight, approx.	kg	4.9	4.9
Dimensions, D × W × H	mm Inch	360 × 216 × 320 14.1 × 8.5 × 12.6	

Precision Balances Quintix®

Model		513-1x ¹	313-1x ¹	213-1x ¹	5102-1x ¹	3102-1x ¹	2102-1x ¹	1102-1x ²	612-1x ¹	5101-1x ¹	5100-1x ¹	
Accuracy class		Ⓡ	Ⓡ	Ⓡ	Ⓡ	Ⓡ	Ⓡ	Ⓡ	Ⓡ	Ⓡ	Ⓡ	
Type ²		SQP-B	SQP-B	SQP-B	SQP-C	SQP-C	SQP-D	SQP-D	SQP-D	SQP-E	SQP-E	
Max	g	510	310	210	5100	3100	2100	1100	610	5100	5100	
Scale interval d	mg	1	1	1	10	10	10	10	0.01	0.1	1	
Verification scale interval e	mg	10	10	10	100	100	100	100	0.1	1	1	
Min	mg	20	20	20	500	500	500	500	0.5	5	50	
Tare (subtractive)		< 100% of the max. weighing capacity										
Typical stabilizations time		1.5	1.5	1.5	1.5	1.5	2	2	2	2	2	
isoCAL:												
- Temperature change	K	2	2	2	2	2	2	2	2	2	2	
- Time interval	h	4	6	6	6	6	6	6	6	6	6	
Display result (depending on the set filter level)	s	0.1 0.2	0.1 0.2	0.1 0.2	0.1 0.2	0.1 0.2	0.1 0.2	0.1 0.2	0.1 0.2	0.1 0.2	0.1 0.2	
Weighing pan size	mm	∅ 120	∅ 120	∅ 120	∅ 180	∅ 180	∅ 180	∅ 180	∅ 180	∅ 180	∅ 180	
Weighing chamber height	mm	209	209	209	-	-	-	-	-	-	-	
Net weight, approx.	kg	4.9	4.9	4.9	5.2	5.2	4.7	4.7	4.7	4.7	4.7	
Dimensions, D × W × H	mm Inch	360 × 216 × 320 14.1 × 8.5 × 12.6						360 × 216 × 95 14.1 × 8.5 × 3.75				

¹ Possible terms for country-specific models:

x = CEU: Verified balances with EC Type Approval Certificate D12-09-014 (for EU except France, Italy, and Switzerland)

x = CFR: Verified balances with EC Type Approval Certificate D12-09-014 for France only

x = CIT: Verified balances with EC Type Approval Certificate D12-09-014 for Italy only

x = CCH: Verified balances with EC Type Approval Certificate D12-09-014 for Switzerland only

x = NUS: NTEP Certificate for USA

x = CN: CMC Type Approval Certificate for China

x = OJP: Balance with Type Approval Certificate for Japan

x = OBR: Balance with Type Approval Certificate for Brazil

x = OAR: Balance with Type Approval Certificate for Argentina

x = OKR: Balance with Type Approval Certificate for South Korea

x = ORU: Balance with Type Approval Certificate for Russia

x = OIN: Balance with Type Approval Certificate for India

x = OCA: Balance with Type Approval Certificate for Canada

² All models with "...CN": type "SQP"

Optional Accessories

Printers and Communications

Premium GLP Laboratory Printer	YDP30
– Printer paper for GLP laboratory printer	69Y03285
– Endless labels for GLP laboratory printer	69Y03286
Standard Laboratory Printer	YDP40
– Printer paper for standard laboratory printer	69Y03287
Data Cable Mini USB USB A	YCC04-D09
Data Cable Mini USB RS232 9-pin	YCC03-D09

General

Battery Pack for Standard Lab Balances	YRB11Z
Draft ring for analytical balances	YDS01SQP
In-use cover for analytical balances	6960SE01
In-use cover for precision balances	6960SE02
Dust cover for analytical balances with draft shield	6960SE03

Density Determination

Density kit for analytical balances	YDK03
Density kit for precision balances	YDK04
– for lab balance model 2102; 1102; 612	

Calibration Weights

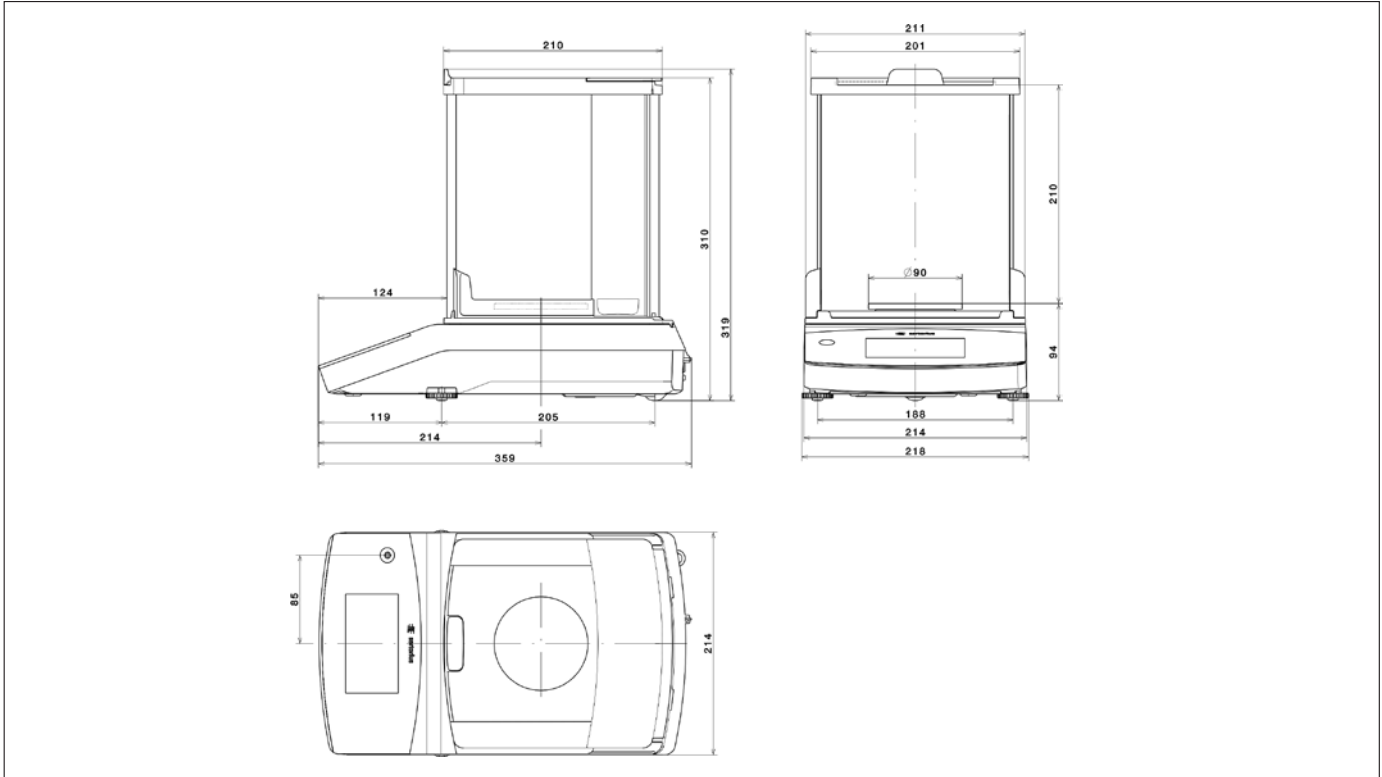
Calibration for lab balance model 124	YCW512-AC-02
– Proof Line knob weight 100 g, OIML class E2, with DAkkS certificate	
Calibration for lab balance model 224; 313; 213	YCW522-AC-02
– Proof Line knob weight 200 g, OIML class E2, with DAkkS certificate	
Calibration for lab balance model 513; 612	YCW552-AC-02
– Proof Line knob weight 500 g, OIML class E2, with DAkkS certificate	
Calibration for lab balance model 1102	YCW612-AC-02
– Proof Line knob weight 1 kg, OIML class E2, with DAkkS certificate	
Calibration for lab balance model 3102; 2102	YCW622-AC-02
– Proof Line knob weight 2 kg, OIML class E2, with DAkkS certificate	
Calibration for lab balance model 5102; 5101; 5100	YCW652-AC-02
– Proof Line knob weight 5 kg, OIML class E2, with DAkkS certificate	



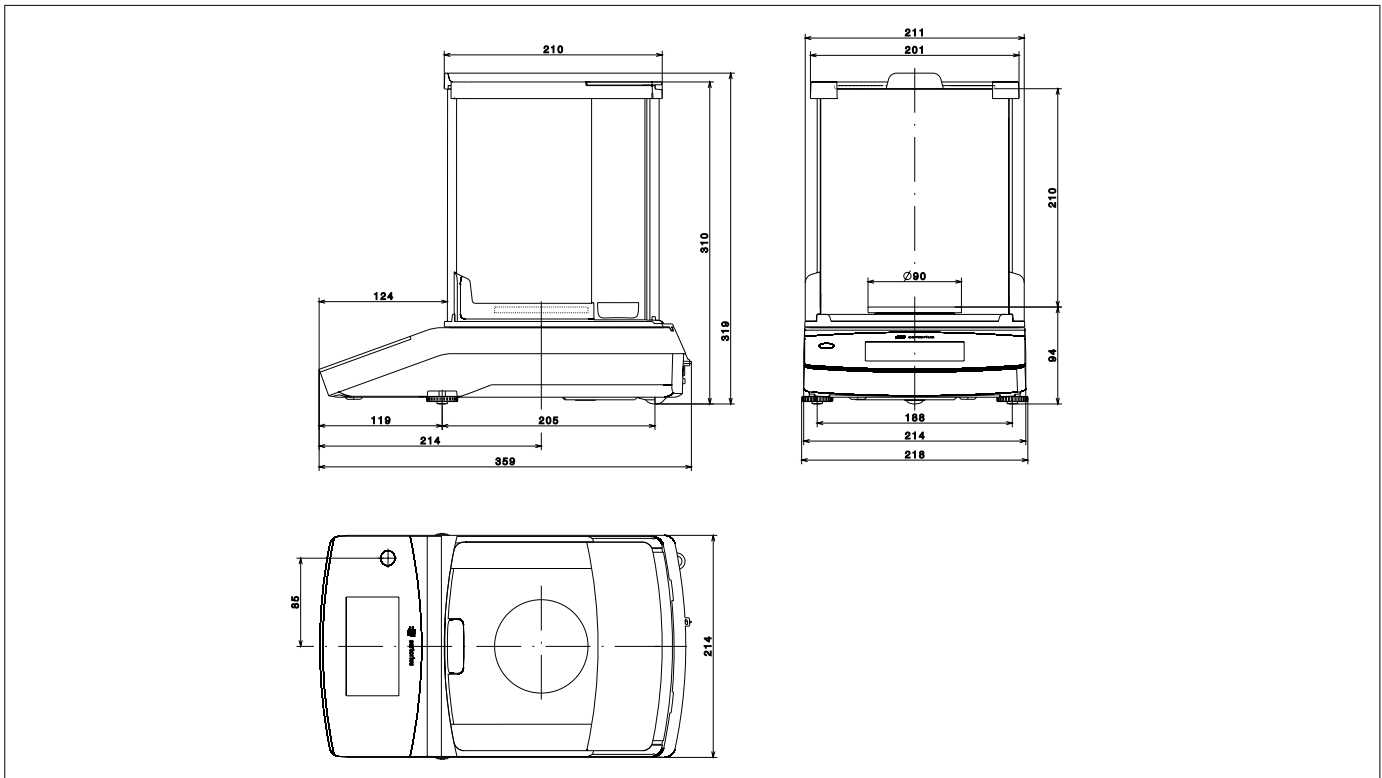
YDP40, Standard Laboratory Printer

Technical Drawings

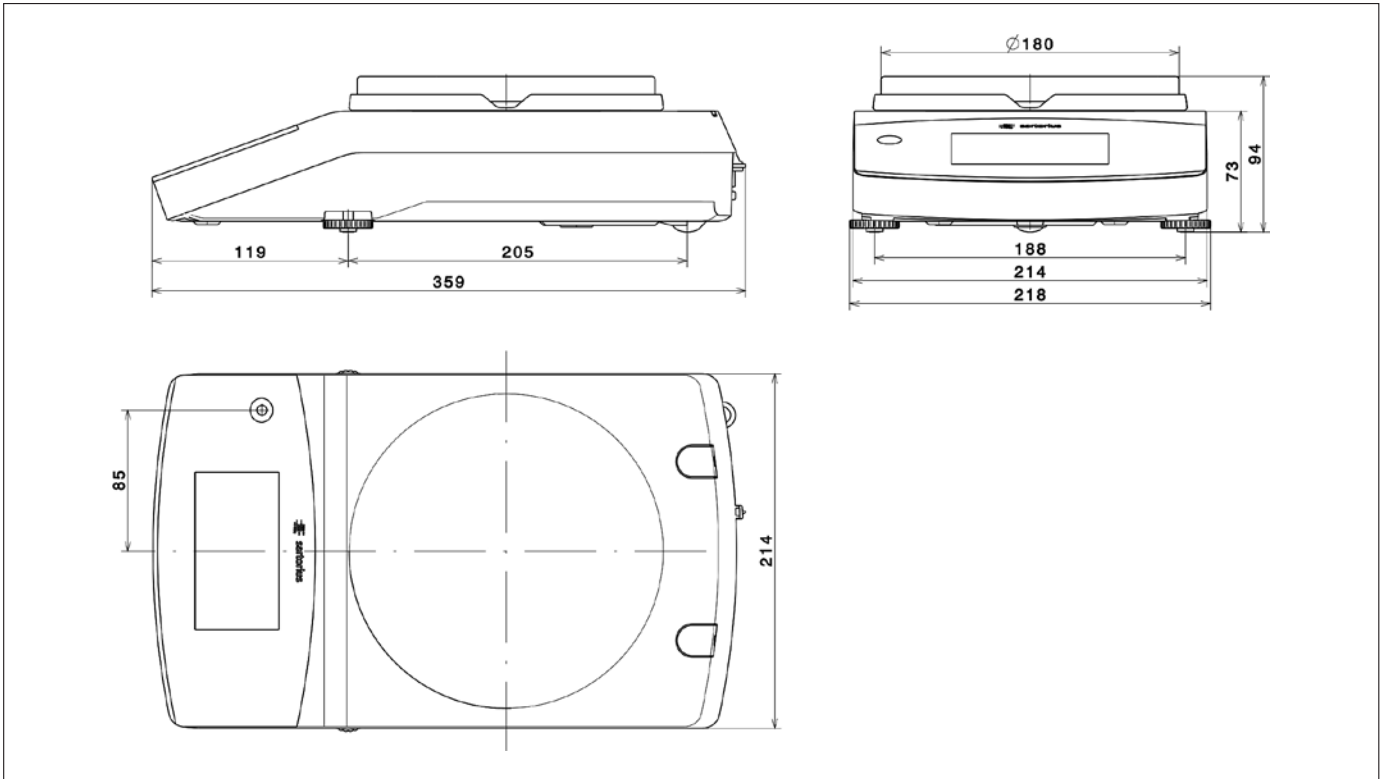
Models with a readability of 0.1 mg, in mm



Models with a readability of 1 mg, in mm



Models with a readability of ≥ 10 mg, in mm



Sales and Service Contacts

www.weigh-tech.com | Phone: (281) 474-5277