

## Specifications

**Dimensions:**

(W x L x D) 4 in x 4 in x 2.5 in

**Mounting Centers:**

3.75 in x 2.31 in (95.2 in x 58.7 mm)

**Cable Fittings:**

Nylon waterproof strain-relief type

**Cable Diameter:**

0.079 in-0.314 in (2.0 mm-8.0 mm)

**Terminal Block:**

Rated 300 V/15 A; seven-position, screw terminal can each accommodate up to #16 AWG

**Warranty:**

One-year limited warranty

## Applications

- For splicing or extending load cell cable

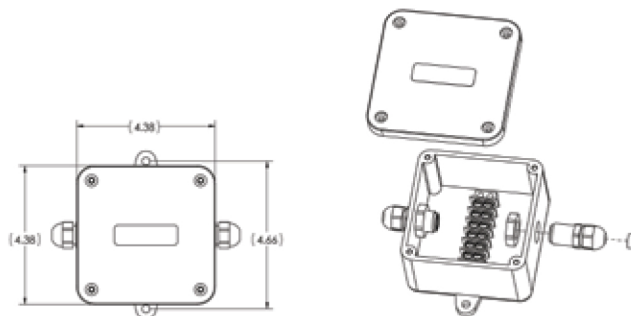


## Standard Features

- Non-metallic PVC enclosure with separate input and output cable fittings
- No soldering, compression or swagged fittings are required

## Part Number/Price

Part #	Description	Price
21161	EL168 one-cell junction box	Consult



## Specifications

**Protection Type:**

Six-channel type with separate shield

**Maximum Excitation Voltage:**

22.8V DC

**Response Time:**

5 nanoseconds

**Peak Surge Currents:**

100 amps

**Series Resistance:**

0.0 ohm

**Series Inductance:**

0.0 µh

**Grounding:**

10 AWG wire or larger (not provided)

**Cable Fitting:**

(2) nylon strain relief for 0.187 in-0.312 in (4.7 mm-7.9 mm) diameter cable

**Enclosure:**

Impact-resistant polycarbonate NEMA Type 4X, maximum 40 psi washdown

**Operating Temperature:**

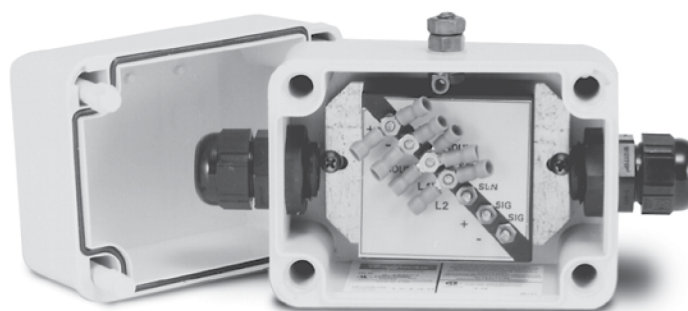
4°F to 121°F (-20°C to 85°C)

**Circuit Board Dimensions:**

2.22 in x 2.22 in (56.4 mm x 56.4 mm)

## Applications

- Protects load cells and indicators from voltage transients
- Tank, bin and hopper
- Truck and railroad scales
- Suitable for outdoor use


**TP75 DC**

Transient Protection

## Standard Features

- Avalanche diode design
- Full six-wire with shield protection
- NEMA Type 4X enclosure
- Unlimited number of parallel load cells; up to eight in series
- Terminal lugs provided

## Part Number/Price

Part #	Description	Price
33185	TP75 DC transient protection	Consult

## Options/Accessories

Part #	Description	Price
31164	Circuit board only	Consult