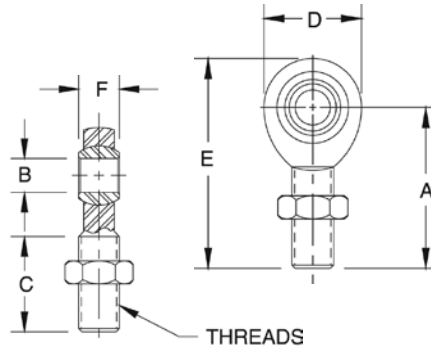


Standard Features

- Used in the ITCM assembly
- One jam nut included with each rod end ball joint
- Standard or PTFE-lined
- Optional stainless steel provides enhanced corrosion resistance for hostile environments



PTFE Lined Standard

Part Number/Price

Part#	Safe Load*	Breaking Strength	PTFE Lined	Price
Mild Steel				
17746	975 lb (453.6 kg)	3,915 lb (1,913.3 kg)	YES	Consult
17734	1,200 lb (544.3 kg)	4,916 lb (2,229.9 kg)	NO	Consult
17736	4,000 lb (1,814.4 kg)	16,238 lb (7,365.5 kg)	NO	Consult
17738	7,000 lb (3,175.2 kg)	28,081 lb (12,737.4 kg)	NO	Consult
17735	2,000 lb (907.2 kg)	8,075 lb (3,662.8 kg)	NO	Consult
17737	3,250 lb (1,474.2 kg)	13,831 lb (6,273.7 kg)	NO	Consult
17739	500 lb (226.8 kg)	2,158 lb (978.9 kg)	YES	Consult
17740	4,000 lb (1,814.4 kg)	16,238 lb (7,365.5 kg)	YES	Consult
17741	10,000 lb (4,535.9 kg)	40,572 lb (18,403.2 kg)	YES	Consult
17742	10,500 lb (4,762.7 kg)	43,541 lb (19,749.9 kg)	NO	Consult
26007	15,000 lb (6,803.9 kg)	76,200 lb (34,563.8 kg)	YES	Consult
17747	19,000 lb (8,618.3 kg)	76,200 lb (34,563.8 kg)	YES	Consult
17743	20,000 lb (9,071.9 kg)	79,728 lb (36,164.1 kg)	NO	Consult
17744	24,000 lb (10,886.2 kg)	96,510 lb (43,776.3 kg)	NO	Consult
Stainless Steel				
33506	1,500 lb (680.4 kg)	7,362 lb (3,339.4 kg)	YES	Consult
33505	500 lb (226.8 kg)	2,158 lb (978.9 kg)	YES	Consult
33507	3,000 lb (1,360.8 kg)	16,238 lb (7,365.5 kg)	YES	Consult
33508	7,000 lb (3,175.2 kg)	40,572 lb (18,403.2 kg)	YES	Consult

*Do not exceed the safe load

Dimensions

Part#	A	B	C	D	E	F	Thread Size						
Mild Steel													
17746	1.94 in	49.3 mm	0.37 in	9.4 mm	1.25 in	31.8 mm	1.00 in	25.4 mm	2.43 in	61.7 mm	0.50 in	12.7 mm	3/8-24 UNF
17734	1.94 in	49.3 mm	0.37 in	9.4 mm	1.25 in	31.8 mm	1.00 in	25.4 mm	2.43 in	61.7 mm	0.50 in	12.7 mm	3/8-24 UNF
17736	2.44 in	62.0 mm	0.50 in	12.7 mm	1.50 in	38.1 mm	1.31 in	33.3 mm	3.09 in	78.5 mm	0.62 in	15.8 mm	1/2-20 UNF
17738	2.87 in	72.9 mm	0.75 in	19.1 mm	1.75 in	44.5 mm	1.75 in	44.5 mm	3.75 in	95.3 mm	0.87 in	22.1 mm	3/4-16 UNF
17735	2.44 in	62.0 mm	0.50 in	12.7 mm	1.50 in	38.1 mm	1.31 in	33.3 mm	3.09 in	78.5 mm	0.62 in	15.8 mm	1/2-20 UNF
17737	2.87 in	72.9 mm	0.75 in	19.1 mm	1.75 in	44.5 mm	1.75 in	44.5 mm	3.75 in	95.3 mm	0.87 in	22.1 mm	3/4-16 UNF
17739	1.56 in	39.6 mm	0.25 in	6.4 mm	1.00 in	25.4 mm	0.75 in	19.1 mm	1.93 in	49.0 mm	0.37 in	9.4 mm	1/4-28 UNF
17740	2.44 in	62.0 mm	0.50 in	12.7 mm	1.50 in	38.1 mm	1.31 in	33.3 mm	3.09 in	78.5 mm	0.62 in	15.8 mm	1/2-20 UNF
17741	2.87 in	72.9 mm	0.62 in	15.8 mm	1.75 in	44.5 mm	1.75 in	44.5 mm	3.75 in	95.3 mm	0.75 in	19.1 mm	3/4-16 UNF
17742	4.12 in	104.7 mm	1.00 in	25.4 mm	2.12 in	53.9 mm	2.75 in	70.0 mm	5.50 in	139.7 mm	1.37 in	34.8 mm	1-12 UNF
26007	4.12 in	104.7 mm	1.00 in	25.4 mm	2.12 in	53.9 mm	2.75 in	70.0 mm	5.50 in	139.7 mm	1.37 in	34.8 mm	1-14 UNS
17747	4.12 in	104.7 mm	1.00 in	25.4 mm	2.12 in	53.9 mm	2.75 in	70.0 mm	5.50 in	139.7 mm	1.37 in	34.8 mm	1-12 UNF
17743	4.12 in	104.7 mm	1.25 in	31.8 mm	2.12 in	53.9 mm	2.75 in	70.0 mm	5.50 in	139.7 mm	1.09 in	27.7 mm	1 1/4-12 UNF
17744	5.37 in	136.4 mm	1.50 in	38.1 mm	3.00 in	76.2 mm	3.50 in	88.9 mm	7.12 in	180.8 mm	1.31 in	33.3 mm	1 1/2-12 UNF
Stainless Steel													
33506	1.94 in	49.3 mm	0.37 in	9.4 mm	1.25 in	31.8 mm	1.00 in	25.4 mm	2.43 in	61.7 mm	0.50 in	12.7 mm	3/8-24 UNF
33505	1.56 in	39.6 mm	0.25 in	6.4 mm	1.00 in	25.4 mm	0.75 in	19.1 mm	1.93 in	49.0 mm	0.37 in	9.4 mm	1/4-28 UNF
33507	2.44 in	62.0 mm	0.50 in	12.7 mm	1.50 in	38.1 mm	1.31 in	33.3 mm	3.09 in	78.5 mm	0.62 in	15.8 mm	1/2-20 UNF
33508	2.87 in	72.9 mm	0.62 in	15.8 mm	1.75 in	44.5 mm	1.75 in	44.5 mm	3.75 in	95.3 mm	0.75 in	19.1 mm	3/4-16 UNF