

Tripp-Lite DNET1

Ethernet Surge Suppressor



Specifications

Interface Type:

RJ45

Application:

100 Base-T, 10 Base-T, Token Ring, AS400/Sys3x, RS-422. Ideal for NICs, terminals, hubs, MAUs, LAN equipment. RJ11/45-compatible. RJ45 cable included

Lines Protected:

1-8

Peak Pulse Clamping Voltage:

7.5V

Maximum Current:

750 amps

Shunt Capacitance:

<40 µF

Warranty:

One-year limited warranty

Standard Features

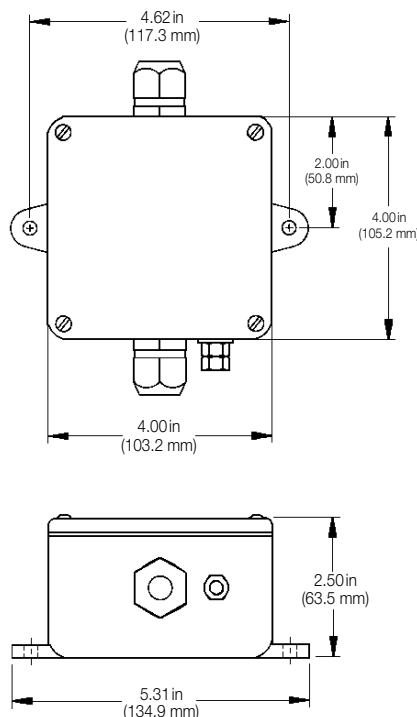
- RJ45 input and output connections
- Five inch Ethernet patch cable enables ideal protection placed as close as possible to the point of use
- Six inch heavy gauge lead connects to designated grounding lugs on protected equipment
- Surge suppression utilizing high speed avalanche diodes divert excess energies on the network to ground

Part Number/Price

Part #	Description	Weight	Price
72682	DNET1 Ethernet surge suppressor	1 lb	Consult

LCP-1 DC

DC Transient Protector



Specifications

Protection Type:

Four-channel series type with separate shield

Maximum Excitation Voltage:

18 VDC or 18 VAC

Clamping Voltage:

75 VDC or 75 VAC

Clamping Time:

<100 nanoseconds typical

Peak Surge Currents:

5,000 amps any line to ground and 5,000 amps excitation to excitation

Maximum Serial Transmission Rate:

30 K baud

Grounding:

Through a 0.25 in (6.35 mm) lug to a 20 ft (6.1 m) insulated #10 AWG ground wire provided

Cable Fitting:

(2) Standard nylon strain relief for 0.187 in-0.312 in (4.7 mm-7.9 mm) diameter cable

Enclosure:

Chemically-resistant PVC. This device, for outdoor or indoor service, is not intended for washdown service (NEMA Type 4) or for submersion (NEMA Type 6). Optional NEMA Type 4X available.

Operating Temperature:

14° F to 104° F (-10° C to 40° C) consistent with NTEP guidelines

Leakage:

7,500 MΩ minimum

Dimensions:

4.0 x 4.0 x 2.50 in (103.2 x 103.2 x 63.5 mm)

Warranty:

One-year limited warranty

Standard Features

- Low cost, non-serviceable
- Effective series protection for strain gauge transducers
- Encapsulated circuitry ensures positive protection against fungus or corrosion on boards
- Two nylon strain reliefs for 0.187 in-0.312 in (4.7 mm-7.9 mm) diameter cable

Part Number/Price

Part #	Description	Weight	Price
21143	LCP-1 DC with cable compression fittings	2 lb	Consult